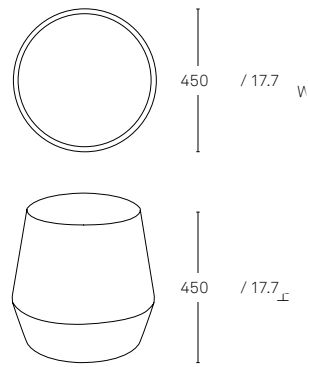
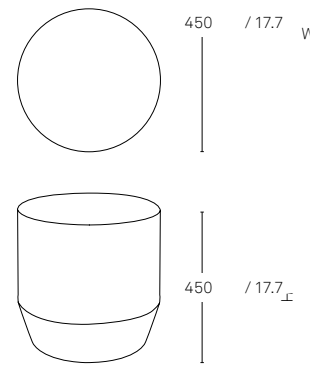


Specifications

Round mfered dg 4 50 ia



Round trig hte dg 4 50 ia



Round mfered dg 9 00 ia

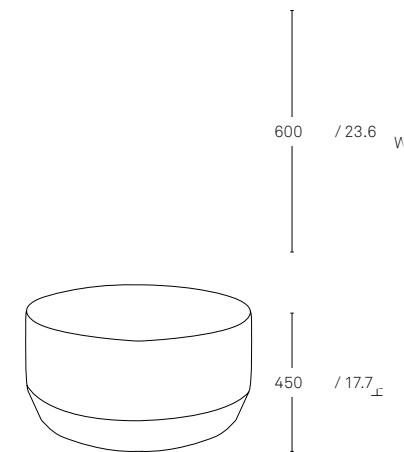
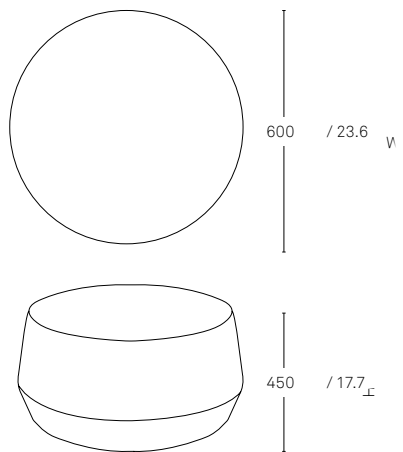
Round trig hte dg 9 00 ia

Round mfered dg 6 00 ia

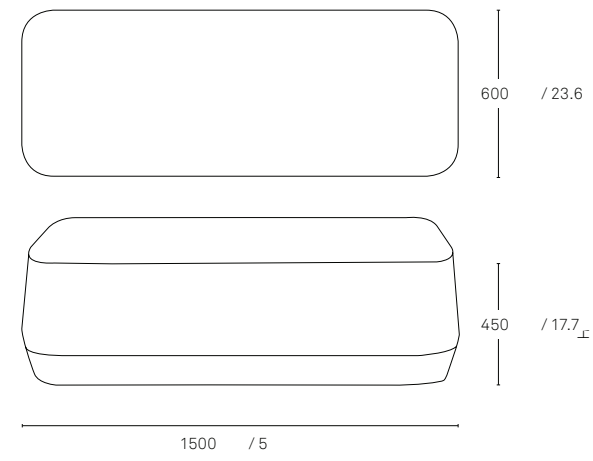
Round trig hte dg 6 00 ia

Round mfered dg 1 20 ia

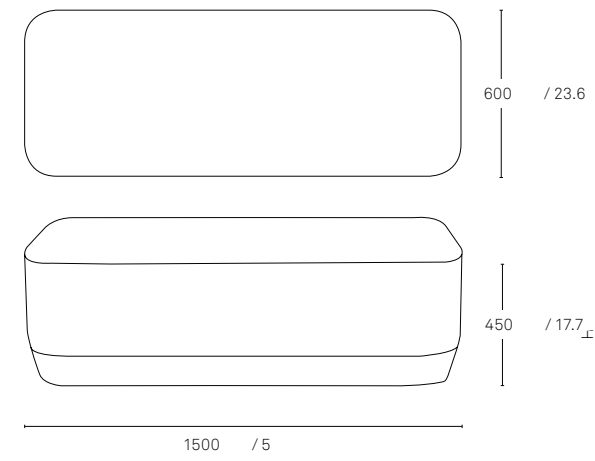
Round trig hte dg 120 ia



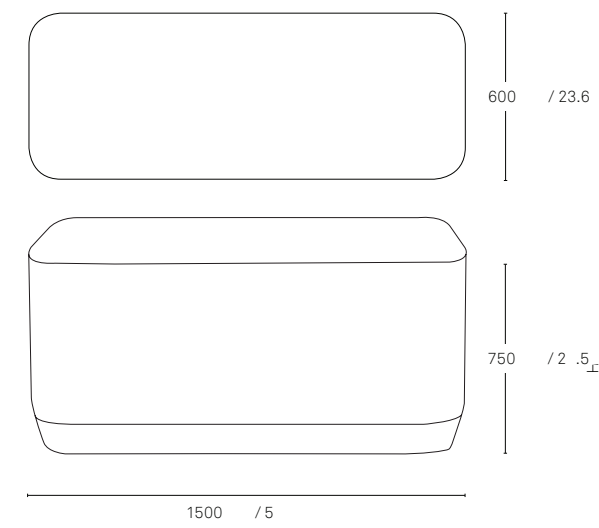
Rectangle chamfered edge / 1500 W



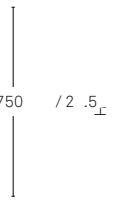
Rectangle straight edge / 1500 W



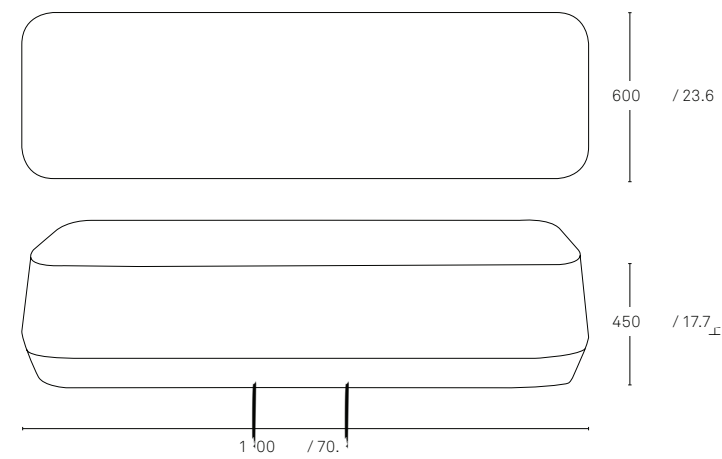
Rectangle high straight edge / 1500 W



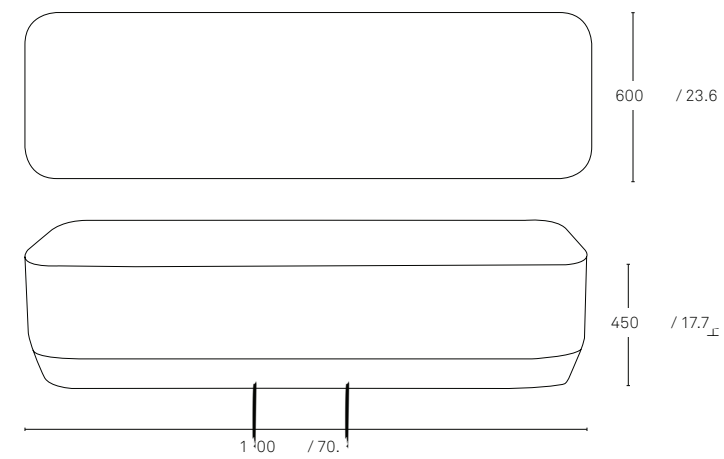
Rectangle high straight edge / 1800 W



Rectangle chamfered edge / 1800 W



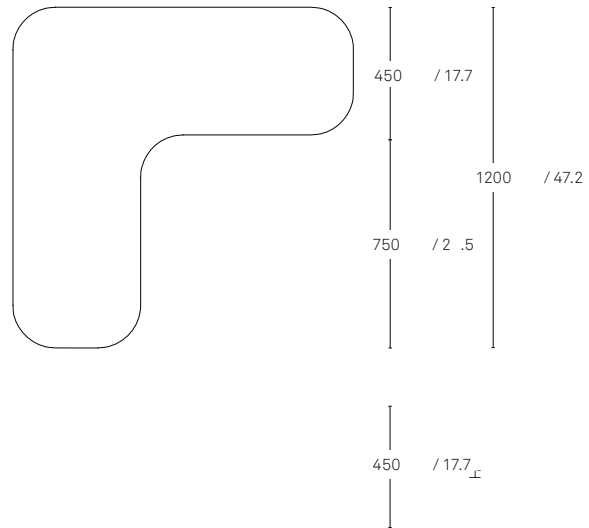
Rectangle straight edge / 1800 W



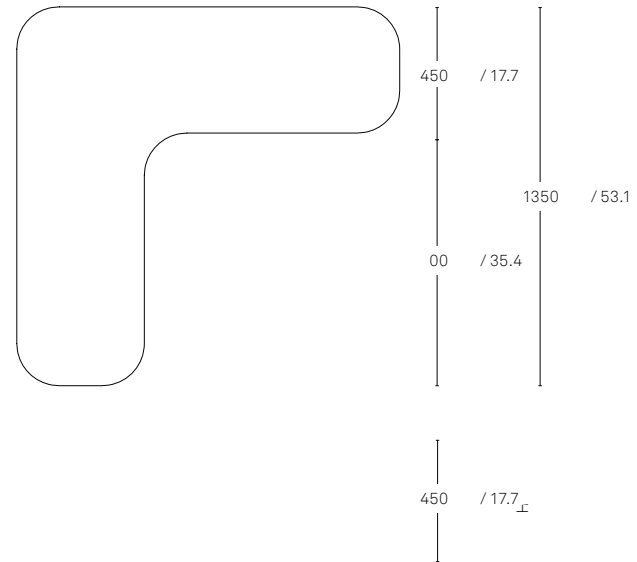
Rectangle high straight edge / 1500 W

Rectangle high straight edge / 1800 W

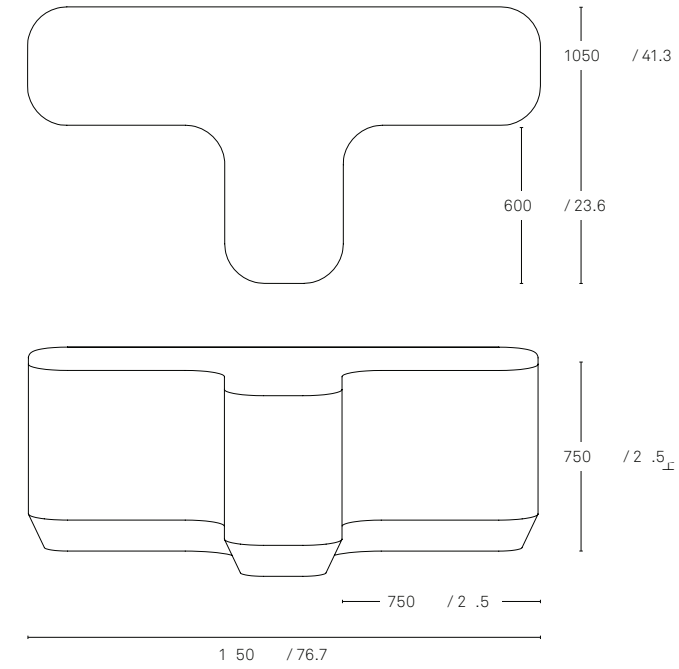
Corner low straight edge / 1200 W



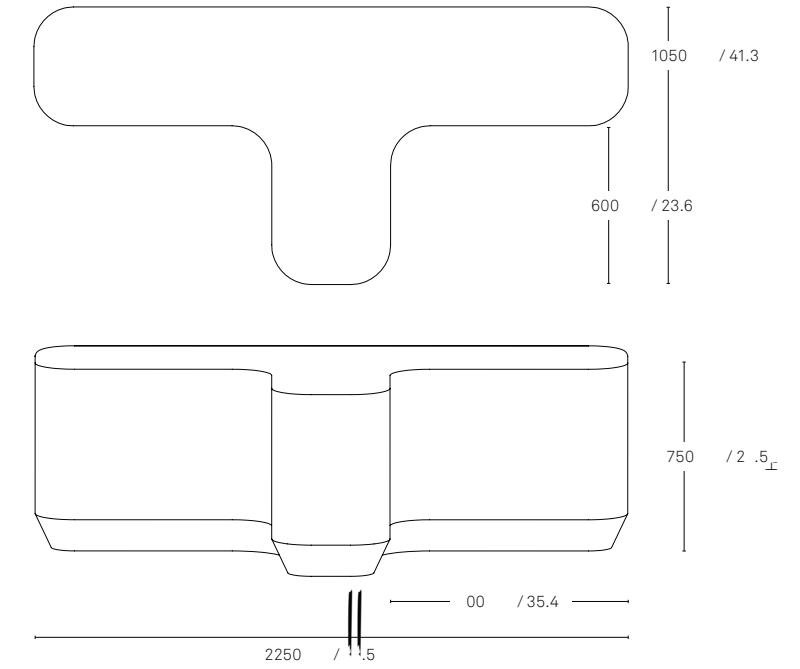
Corner low straight edge / 1350 W



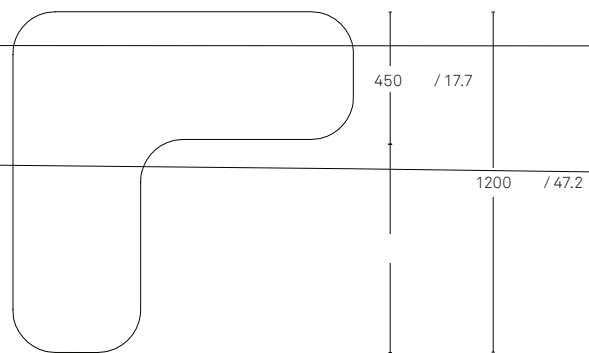
T-shape high straight edge / 1950 W



T-shape high straight edge / 2250 W



Corner high straight edge / 1200 W



Corner high straight edge / 1350 W

