

Specifications

ARCH

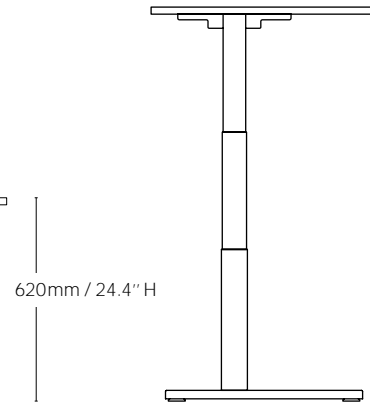
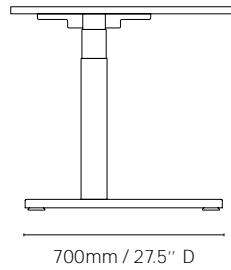
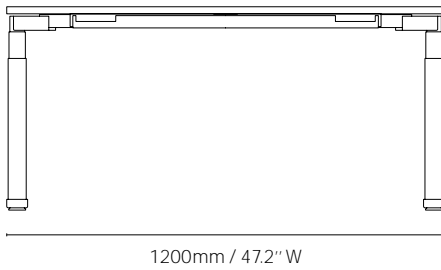
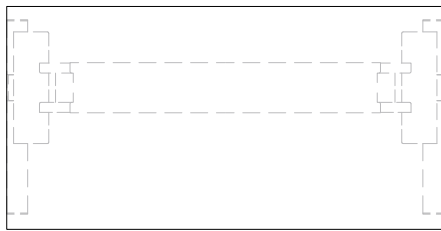
Worktops

25–33mm / 1–1.2" Thick
750–800mm / 29.5–31.5" W
1200–2400mm / 47.2–94.5" L

Leg Configurations

Fixed height 720 & 1050mm / 28.3 & 41.3"
Single stage type A 610–1000mm / 24–39.3"
Single stage type B 78.5–110cm / 5 Td 5 (nm 1 Q 1 Tf0 -2.01
Dual stage

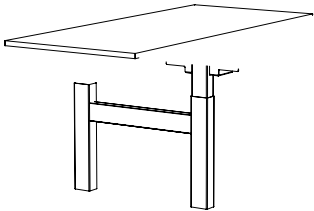
Rectilinear dual stage with standard worktop



All measurements are in millimeters and inches

All intellectual property rights and copyrights are reserved. Nothing contained in this brochure may be reproduced without written permission. Schiavello Group Pty Ltd reserves the right to change any or all details without prior notice. All dimensions stated within this document are nominal and/or approximate only and subject to variation. SCH/SPSKPAU01-B

SCHIIVELLO



All measurements are in millimeters and inches

All intellectual property rights and copyrights are reserved. Nothing contained in this brochure may be reproduced without written permission. Schiavello Group Pty Ltd reserves the right to change any or all details without prior notice. All dimensions stated within this document are nominal and/or approximate only and subject to variation. SCH/SPSKPAU01-B



All measurements are in millimeters and inches

All intellectual property rights and copyrights are reserved. Nothing contained in this brochure may be reproduced without written permission. Schiavello Group Pty Ltd reserves the right to change any or all details without prior notice. All dimensions stated within this document are nominal and/or approximate only and subject to variation. SCH/SPSKPAU01-B

